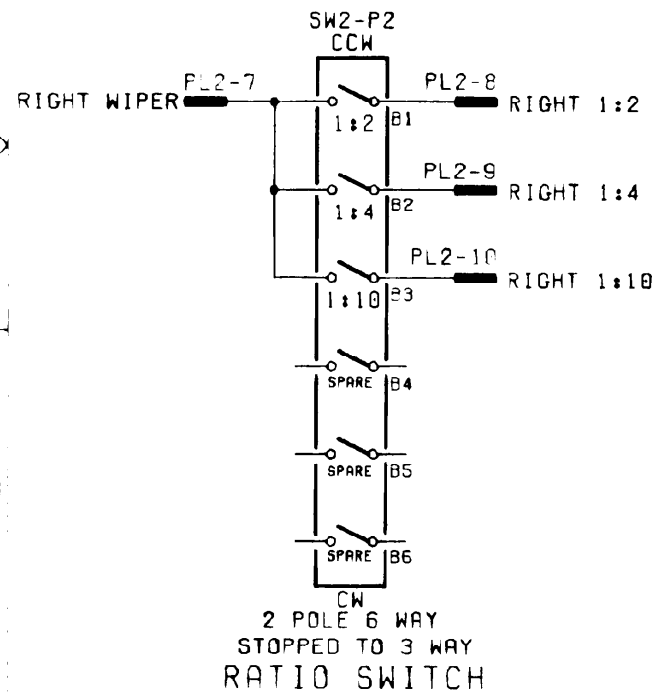
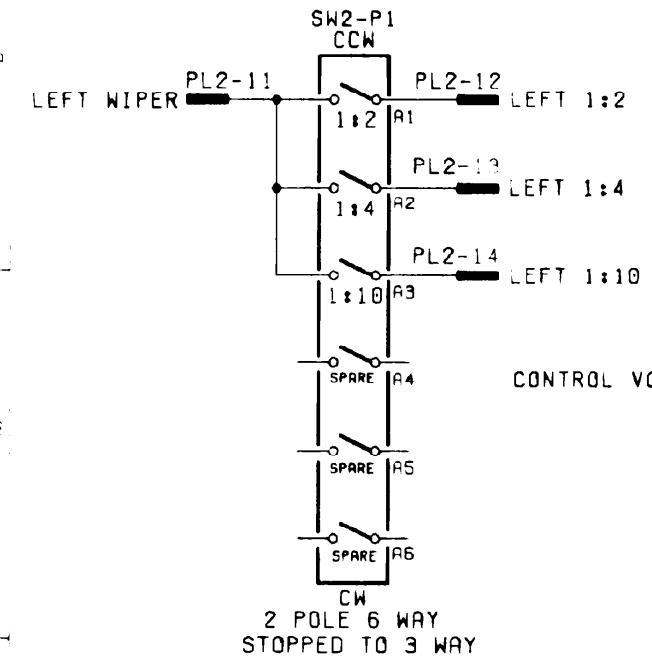
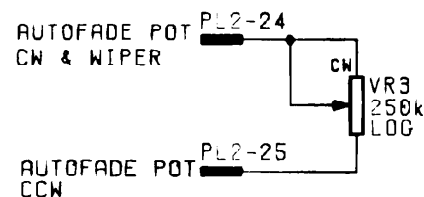
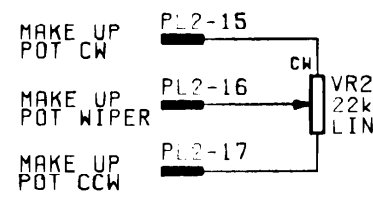
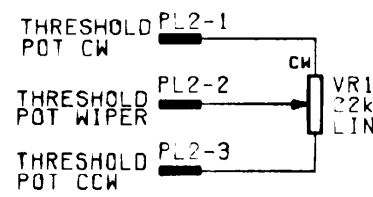
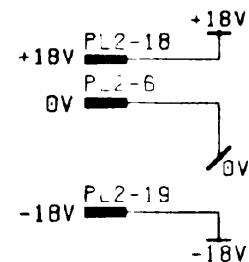
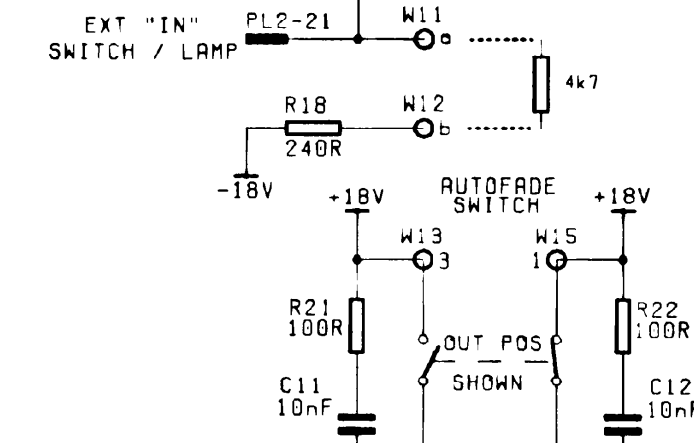
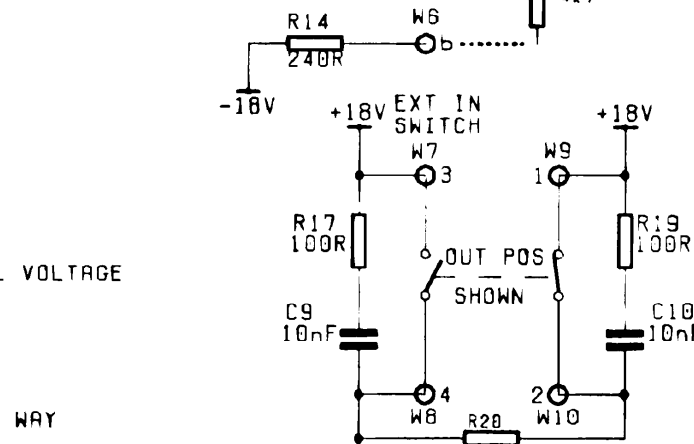
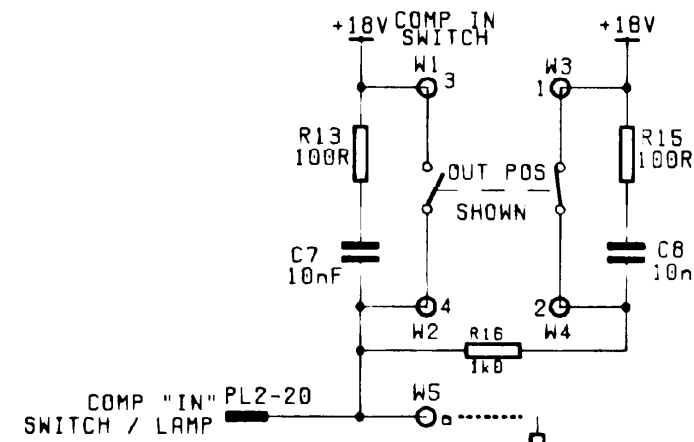
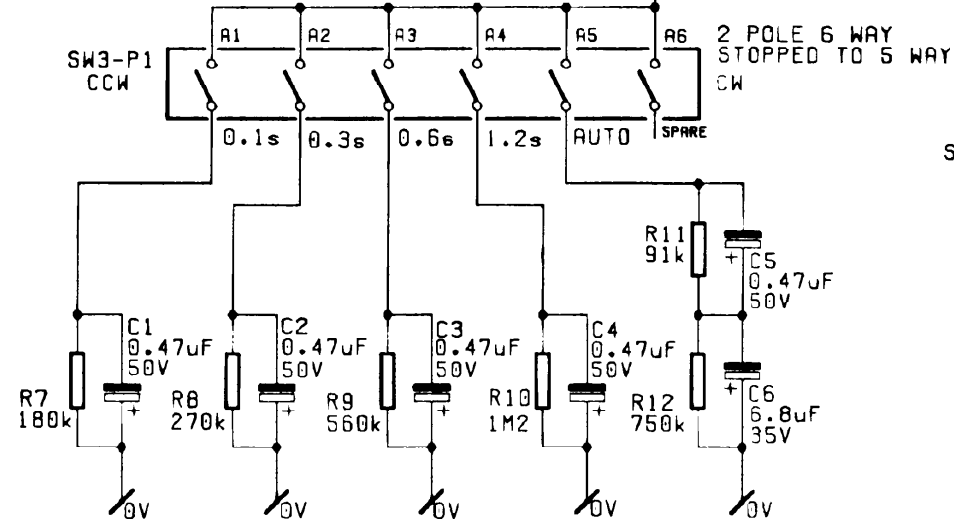
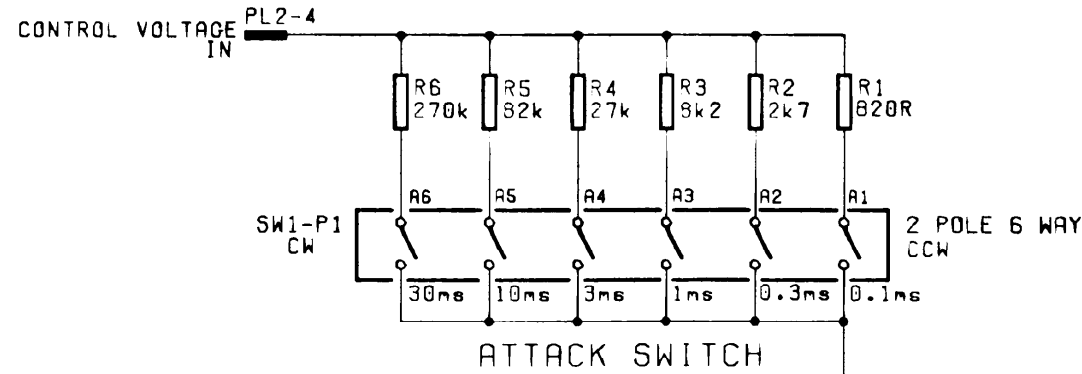


COPYRIGHT © SSL ALL RIGHTS RESERVED.
THIS DOCUMENT MAY NOT BE REPRODUCED
IN ANY FORM WITHOUT THE WRITTEN
PERMISSION OF SOLID STATE LOGIC.

REV	ISS	DATE	DETAILS
0	A	15 FEB 90	NEW DRAWING BC STEFF
1	A	2 APR 93	ECO FX/028 NO CHANGE MM
2	A	2 APR 93	ECO FX/029 NO CHANGE MM
2	B	2 APR 93	ECO FX/043 4K7 RESISTORS FITTED ACROSS W5a & W6b, W11a & W12b AT SW TERMINALS



NOTE
SW1-P2 & SW3-P2
NOT CONNECTED



PCB ISSUE C

USED ON FX384 A3

TITLE
SWITCH CARD

ORG. NO. T82346.71

SHEET 1 OF 1

Solid State Logic