



Global Audio M37 Condenser Microphone

Description

The **Global Audio M37** is a single-pattern side address microphone designed for professional recording and broadcast applications. The implementation of high speed, low noise, low distortion electronics makes the **M37** the ideal candidate for the most critical applications.

The **M37** incorporates a number of unique features including:

- Large 1" Single Diaphragm External Bias Condenser Capsule.
- Gold Sputtered Diaphragm.
- High SPL Capability (143 dB SPL with pad)
- Transformerless balanced output circuits.
- 20 dB non capacitive pad
- Stainless steel internal pop/EMI filter.

Specifications

Type:

Side Address, External bias condenser

Frequency Response:

20-20 kHz

Polar Pattern:

Cardioid

Impedance:

Low (200 ohms nominal).

Output Level At 1 kHz.:

Open Circuit Voltage:

-56 dB (0 dB = 1 volt per microbar).

15.9 mV/Pascal.

Dynamic Range:

133 dB.

Equivalent Noise Level:

11 dB Equivalent SPL, A weighted

Maximum SPL:

43 dB SPL (With pad on)

Total Harmonic Distortion:

Less than 0.15%

Powering:

Minimum Requirements are 24, 48, 52Volts Phantom Power capable of delivering at least 8 mA.

Connector:

Three pin male XLR type.

Finish:

Durable charcoal gray urethane. Black urethane front & rear screen.

Dimensions:

2.25" (57.2 mm) Dia., x 7.00" (177.8 mm) High

Net Weight:

15 oz. (425 grams)

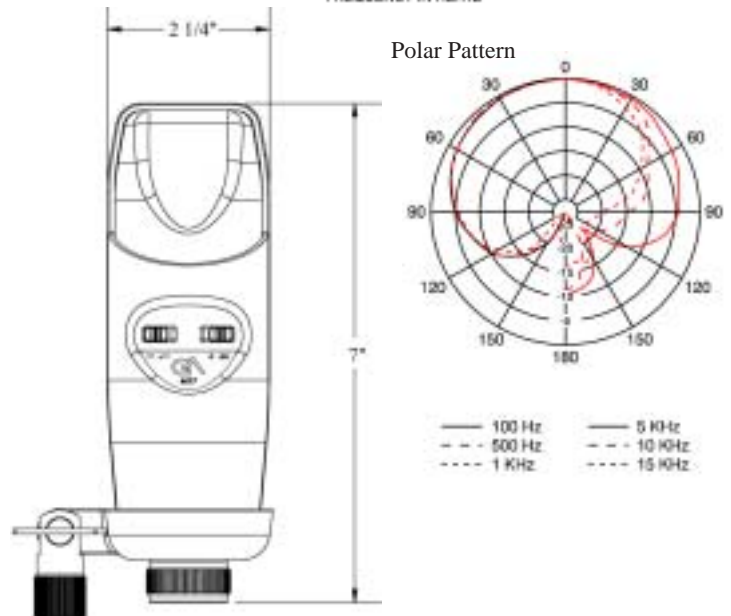
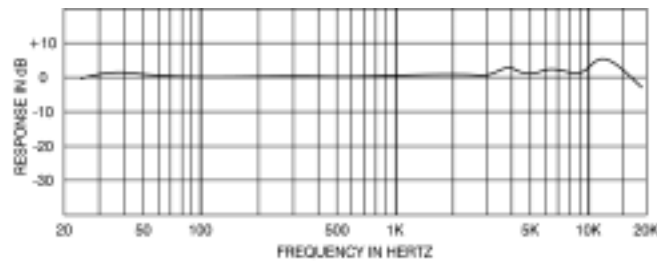
Optional Accessories:

EPF15A - Pop Filter

MZM5 - Shockmount



Frequency Response



ONE YEAR LIMITED WARRANTY

Omnitronics, LLC ("Global Audio") hereby warrants that this product will be free of defects in material and workmanship for a period of two years from the date of purchase. In the unlikely event a defect occurs Global Audio will, at its option, either repair or replace with a new unit of equal or greater value. You should retain proof of purchase to validate the purchase date and return it with any warranty claim. Return warranty claims carefully packed, insured and prepaid to the Service Department at the address listed below.

This warranty excludes exterior finish or appearance, damage from abuse, misuse of the product, use contrary to Global Audio's instructions or unauthorized repair. All implied warranties or merchantability or fitness for a particular purpose are hereby disclaimed and Global Audio hereby disclaims liability for incidental, special or consequential damages resulting from the use or unavailability of this product.

This warranty gives you specific legal rights and you may also have other rights which vary from state to state. Some states do not allow the exclusion or limitation of incidental or consequential damages or limitations on how long an implied warranty lasts, so the above exclusions and limitations may not apply to you.

Note: No other warranty, written or oral is authorized by Omnitronics, LLC

User Techniques and Applications

The M37 can be used in a broad number of applications, ranging from live reinforcement to the most critical studio situations. The **M37** is ideal for vocals and voice overs, yet it also excels at some of the most demanding instrumental projects. The **M37** is great for virtually all acoustic, wind, and amplified instruments. The **M37** has been proven to be outstanding in all of these applications and more. Its uncolored sonic characteristics allow you to decide how a instrument or vocal will sound in the mix.